

2-Axis Milling Head

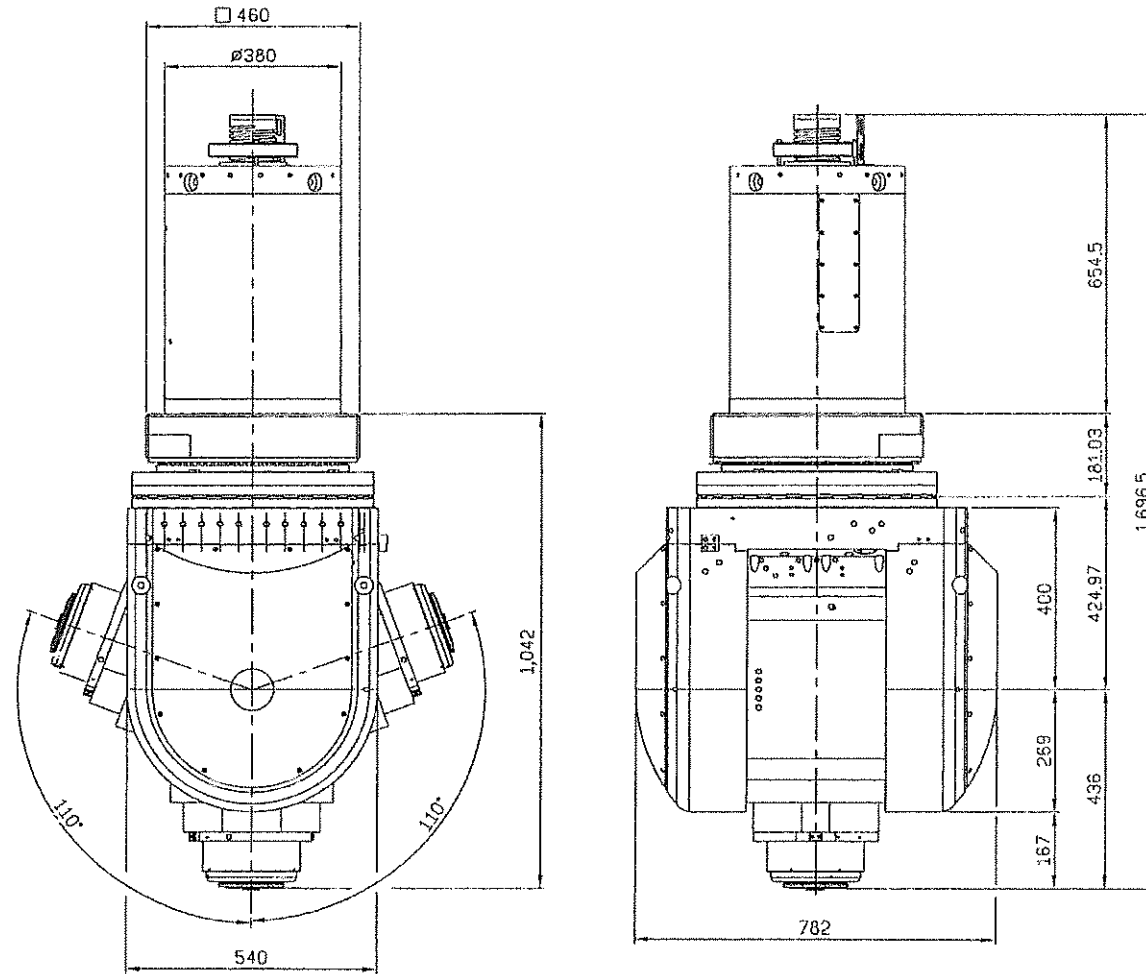
ANS0373



AC5

Specification: AC5 2 AXIS Milling Head (Siemens)

A-Axis	Swiveling angle	+/- 110°
	Swiveling arm motor spindle	436 mm
	Weight incl. Motor spindle	Approx. 1.300 kg
	Max. swiveling speed	20 rpm
	Positioning accuracy	0.002'
	Nominal torque / Max. torque	1.266 N-m / 1.980 N-m
	Cooling performance	6 kW
C-Axis	Swiveling angle	+/- 200°/+/- 360°(opt.)
	Weight	Approx. 700 kg
	Max. swiveling speed	20 rpm
	Positioning accuracy	0.002'
	Nominal torque / Max. torque	1.488 N-m / 2.640 N-m
Spindle	Cooling performance	12 kW
	Braking torque	8000 N-m
	Tool systems	BT#50 (HSK A100 opt.)
	Power	31 kW (S1)/40 kW (S6-40%)/56 kW(peak)
	Torque max.	290 Nm(S1)/386 Nm(S6)
	Speed max.	10.000 rpm
	Clamping force	20kN(45 kN for HSK-A100)
	Unclamping system	Hydraulic
	Tool cleaning	Automatic
	Bearing rigidity	Axis/ radial 660 N / μm
	Bearing lubrication	Grease
	Spindle cooling	Automatic
	Cooling power	7 kW
	Cooling volume flow approx	14 l/min
External coolant supply	6 Spray nozzles	
Cooling Through System	Option accessories.(20 bar or 50 bar)	



2016/07/07